

# ***AQUA Filter Maintenance Instructions***

**A Division of Galloway International Ltd  
PO Box 58 632 Botany, Manukau. 2163**

Congratulations on your purchase of an Aqua Tank Pre Tank Water Filter. You can expect many years of service from your Pre Tank Water Filter providing that it is installed and maintained correctly and in accordance with the following instructions.

The filter design comprises a dual filter system. Water initially passes through a Leaf Strainer with stainless steel screen which collects larger material such as leaves, feathers and twigs which are flushed into the downpipes. A secondary Filter Bag then filters out water-bourne matter to the micron rating of the Filter Bag. Filter Bags are available in 100, 200, 400 or 600 microns.

## **Aqua Filter Maintenance**

This maintenance checklist applies to Aqua Filters when connected, as part of a rain harvesting system, to spouting and downpipes systems.

Leaves, pine needles, twigs, grass, fauna and debris can block the water flow and may pollute the flow to your water tank. Consequently regular maintenance on these systems should be employed to improve the quality of water and the flow rate.

The building or homeowner can perform these duties.

Alternatively in the Yellow pages there are a number of *Tank Cleaning* businesses that can perform the maintenance on the tank.

Frequency of cleaning and maintenance will depend on variables such as:

- the size of the roof or catchment
- frequency of rain events
- number of trees in close proximity to the roof or catchment
- the micron rating of the Filter Bag. Generally, finer Filter bags will require more frequent cleaning and maintenance.

### **Better quality water is achieved through regular cleaning and maintenance.**

- 1 Clean and maintain the Aqua Filter when it is not raining.
- 2 The Aqua Filter is sealed and excess water needs to be drained from it prior to cleaning.

- 3 To drain the water from the Aqua Filter and connected piping, open the 20mm Flush Valve which is fitted to the lower wall of the filter body. This allows the water to drain from inside the filter body and external pipe work.
- 4 Allow the system to be completely drained before attempting to remove the lid. This will ensure that the filter is not under pressure and that water will not splash out when removing the lid.
- 5 Unscrew the Screw-On Lid in a counter clockwise direction (approx. 2 turns) and carefully lift off.
- 6 Inspect the rubber Sealing Ring for damage or cuts and replace if necessary.
- 7 Lift out the PVC Tubular Strainer Brace.
- 8 Remove the Leaf Strainer with stainless steel mesh. This will be a firm fit and will require squeezing out of the top of the Aqua Filter opening.
- 9 Lift out the Filter Bag.
- 10 Thoroughly rinse the inside of the filter body with water from a garden hose, and allow the rinsed water to drain out through the open Flush Valve on the filter base.
- 11 Thoroughly rinse clean the Filter Bag and Leaf Strainer. The Filter Bag will often require additional cleaning and may be washed on a normal cycle in a domestic washing machine.
- 12 The cleaned Filter Bag can now be refitted in the filter body.
- 13 The cleaned Leaf Strainer with stainless steel mesh can be refitted into the filter body. Ensure this is pushed down to fit snug into the Filter Bag.
- 14 Apply some lubricant like *Vaseline* to the threads on the filter body. This will aid removal of the Screw-On Lid top next time.
- 15 Ensure that the rubber Sealing Ring is located evenly within the ring recess of the Screw-on Lid.
- 16 Fit the PVC Tubular Strainer Brace by locating it into the recess in the underside of the Screw-on Lid. This is a 'press fit' connection.
- 17 Carefully locate the Screw-on Lid on top of the filter body and ensure the threads engage when turned in a clockwise direction. The Screw-on Lid needs to be tightened firmly but not over tightened. Generally the lid handle will be in line with the Inlet / outlet pipes.
- 18 Turn the handle on the 20mm Flush Valve to the closed position.

The cleaned Pre Tank Filter is now ready for operation again.

Replacement parts as per the diagram

- |                                      |                           |
|--------------------------------------|---------------------------|
| 1. Filter Bag 100 microns            | 6. Sealing Ring           |
| 2. Filter Bag 200 microns            | 7. Pipe Seal Ring         |
| 3. Filter Bag 400 microns            | 8. Tubular Strainer Brace |
| 4. Filter Bag 600 microns            | 9. 20mm Flush Valve       |
| 5. Leaf Strainer with Stainless Mesh |                           |

### **Additional Planned Maintenance: 4-Month Interval**

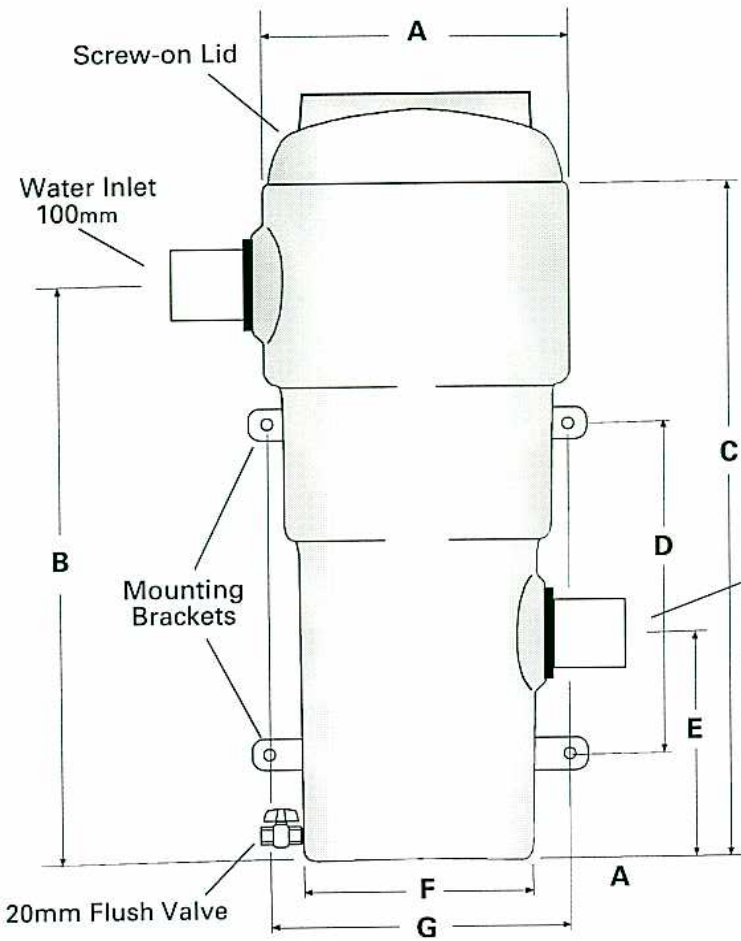
1. Inspect the roof and spouting and downpipes for any foreign material and remove as necessary.
2. Inspect any leaf guards or first-flush systems fitted before or after the location of the Aqua Filter and clean as required. Note: these may require more regular servicing if roof collection area is located in dense bush, dust or pollen region.
3. Inspect all fittings, and screwed or welded joints to ensure there are no leaks.

### **Additional Planned Maintenance: 12-Month Interval**

*(These duties are additional to the 4 Monthly duties listed above).*

1. Clean the roof and spouting to ensure removal of moss, mould, sun-caked solids and faeces. When rinsing the downpipes, ensure the Aqua Filter Lid is screwed off and the 20mm Flush Valve is open to prevent water from entering the tank.
2. Clean and flush guttering and all pipes leading to the Aqua Filter and water tank.
3. If there is a water pressure pump or other equipment fitted in or along side the tank then these should be inspected to ensure they are in good working condition.
4. Ensure there is no undermining of footings in close proximity to the bladder tank installation.
5. If the tank is installed underground then check visually inside tank and immediate surrounding area to confirm the earthworks are still stable.
4. Inspect the roof and spouting and downpipes for any foreign material and remove as necessary.

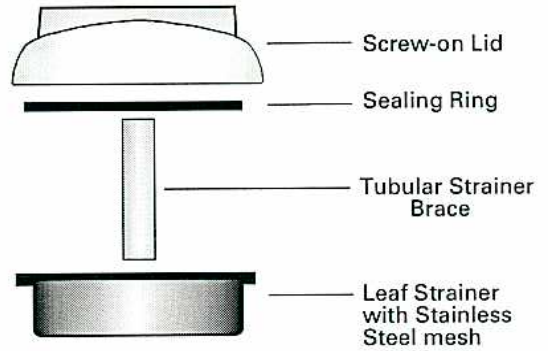




### Filter Details

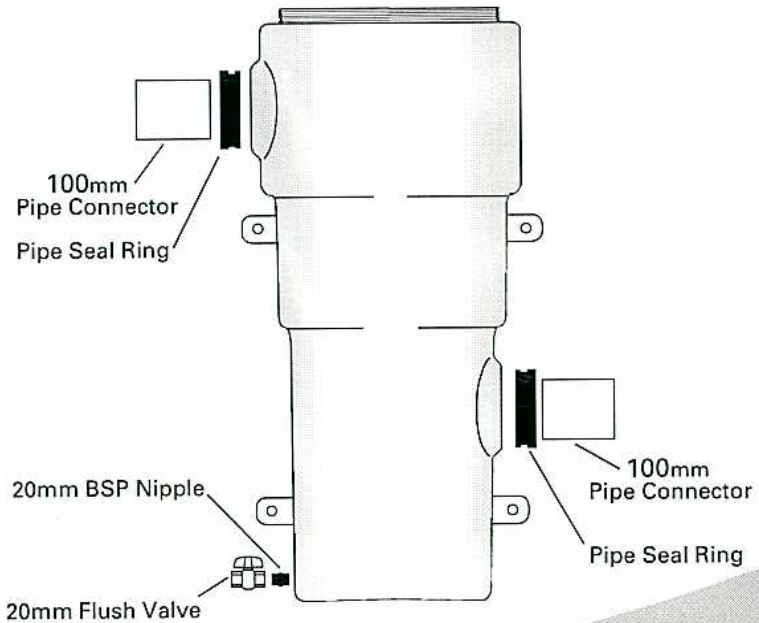
Dimns	mm
A .....	455
B .....	1060
C .....	1180
D .....	650
E .....	530
F .....	345
G .....	505

Water Outlet  
100mm



### Component Details

Filter Bag -available in 100, 200, 400 or 600 micron options



Copyright

# AQUA FILTER

# AQUA<sup>TM</sup> TANKS

A Division of Galloway International Ltd.

HEAD OFFICE  
36 Cryers Road, East Tamaki, PO Box 58-632 Greenmount, Manukau 2141, New Zealand

Free Phone: **0800 370 007**  
Phone: 64-9-273 5666  
Fax: 64-9-273 5668  
Email: [info@aquatanks.co.nz](mailto:info@aquatanks.co.nz)  
Website: [www.aquatanks.co.nz](http://www.aquatanks.co.nz)

Information correct at time of printing 17/11/00.